



**austriamicrosystems AG**

**is now**

**ams AG**

The technical content of this austriamicrosystems application note is still valid.

**Contact information:**

**Headquarters:**

ams AG  
Tobelbaderstrasse 30  
8141 Unterpremstaetten, Austria  
Tel: +43 (0) 3136 500 0  
e-Mail: [ams\\_sales@ams.com](mailto:ams_sales@ams.com)

Please visit our website at [www.ams.com](http://www.ams.com)

## 1 General Overview

The AS5x43 is a contactless magnetic angle encoder for accurate measurement up to 360°.

It is a system-on-chip, combining integrated Hall elements, analog front end and digital signal processing in a single device.

The AS5x43 provides a digital 10-bit as well as a programmable analog output that is directly proportional to the angle of a magnet, rotating over the chip.

The analog output can be configured in many ways, including user programmable angular range, adjustable output voltage range, voltage or current output, etc.

An internal voltage regulator allows operation of the AS5x43 from 3.3V or 5.0V supplies.

## 2 The AS5x43 Demoboard

The AS5x43 demoboard is a complete rotary encoder system with built-in microcontroller, USB interface, graphical LCD display and Vout output LED.

The board is USB powered or externally supplied with a 9V battery for standalone operation.

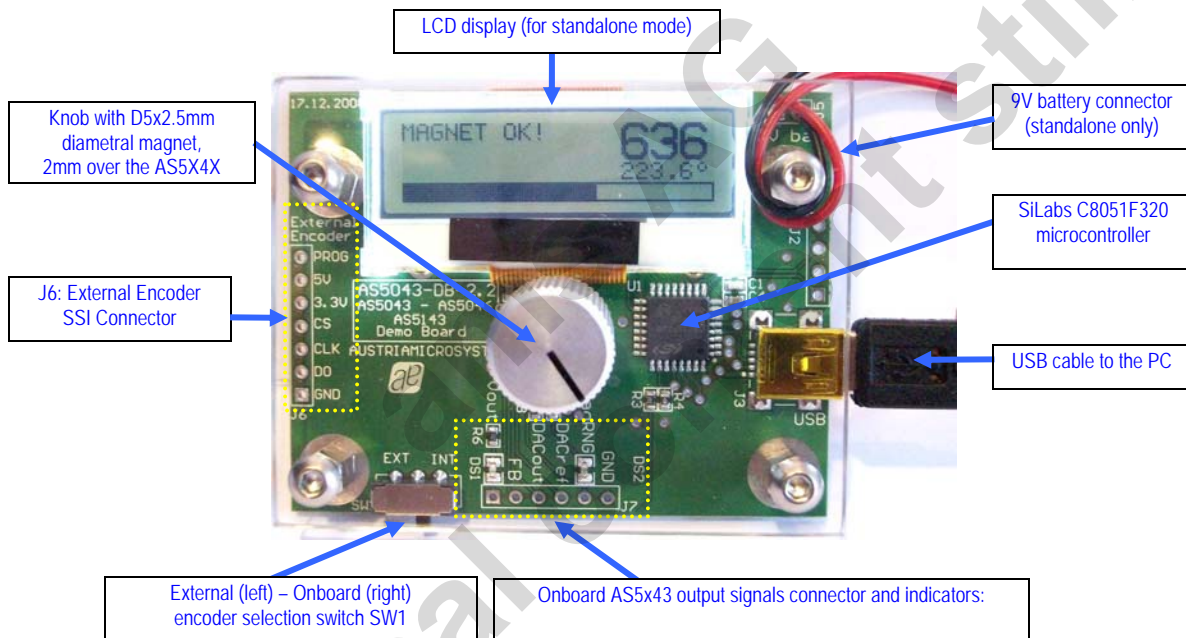


Figure 1: AS5x43 Demoboard hardware with mounted magnet knob

## 3 Operating the AS5x43 Demoboard

The AS5x43 demoboard can be used in several ways:

- **As standalone unit supplied by a 9V battery**

Connect a 9V battery to the battery connector on the top right side of the board. No other connections are required.

- **As standalone unit supplied by an USB port**

Connect the demoboard to a PC using a USB/USB cable (included in demoboard shipment). The board is supplied by the 5V supply of the USB port. No other connections are required.

- **As input device for the AS5000 Programmer GUI software**

This configuration uses the same USB hardware connection as above, but additionally the AS5000 Programmer GUI software is running. The LCD display will be turned off and the Angle/Multiturn/AGC will be displayed on the PC screen. Some extra features as pole pair, zero position or AGC programming can be achieved. The parameters will not be permanently programmed. All the parameters will be lost when the demoboard is shut down. For a permanent device programming, the "AS5000 Programmer" hardware should be used.

## 3.1 Hardware Indicators and Connectors

### 3.1.1 Graphic LCD display

The LCD display shows the realtime absolute angle position of the magnet with a resolution of  $0.35^\circ = 1024$  positions per revolution (AS5x43) and the absolute value of the angle.

Turning the knob clockwise will increase the angle value until 359.6 then 0.

The magnet status indicator is related to the magnet position. If the magnet is too close to the encoder, "Magnet too close" will be displayed. If the magnet is too far away from the encoder, "Magnet out of range" will be displayed.

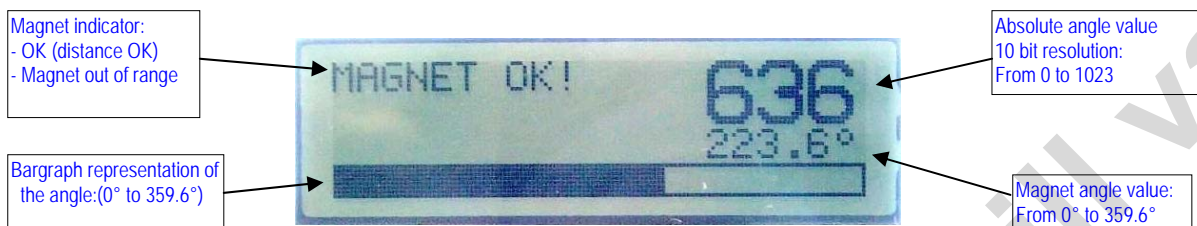


Figure 2: LCD display in standalone mode (9V battery or USB powered without GUI)

### 3.1.2 Vout LED

This LED is connected to the Vout output of the AS5x43 device.

Vout is the analog output pin, which provides a DC voltage radiometric to the supply voltage of the device or an external voltage source. This DC voltage is proportional to the angle.

By default, the OPAMP Gain setting FB\_int\_EN (OTP bit) is set to 0. Please take care to add an external resistor network between Vout and FB Pin (see AS5043 Datasheet Figure 14).

### 3.1.3 DACref

This is the external voltage reference input for the Digital-to-Analog Converter (DAC).

The analog output voltage of Vout is radiometric to the voltage on this pin.

### 3.1.4 DACout

This is the unbuffered output of the Digital-to-Analog Converter (DAC). This pin may be used to connect an external OPAMP, etc. to the DAC.

### 3.1.5 FB

Feedback (FB) is the inverting input of the OPAMP buffer stage, where various OPAMP configurations may be set.

### 3.1.6 MagRNG

The Magnet Field Magnitude RaNGe warning indicates if the magnetic field is outside of the limits.

### 3.1.7 Encoder selection switch

The switch SW1 selects the encoder which communicates with the microcontroller through the SSI bus:

1. Right position (default): Onboard AS5043/AS5143
2. Left Position: External AS5043/AS5143 connected on J6  
The signals of the synchronous serial interface (DO, CLK, CSn, PROG) and the power supply (3.3V, GND) of an external device can be connected directly to J6. In this configuration, the data of the serial interface are displayed on the GUI or the LCD.

- In standalone mode, regardless to the demoboard type (AS5043 or AS5143), AS5043 and AS5143 can be attached to J6 and evaluated. See figure 3.
- If the GUI is used for operation, additional devices AS5040, AS5140, AS5045 and AS5145 can be connected to J6 and evaluated. In that case, the correct encoder must be selected instead of "Autoselect" in the Device list of the PC software, see chapter **Error! Reference source not found.** figure 4.

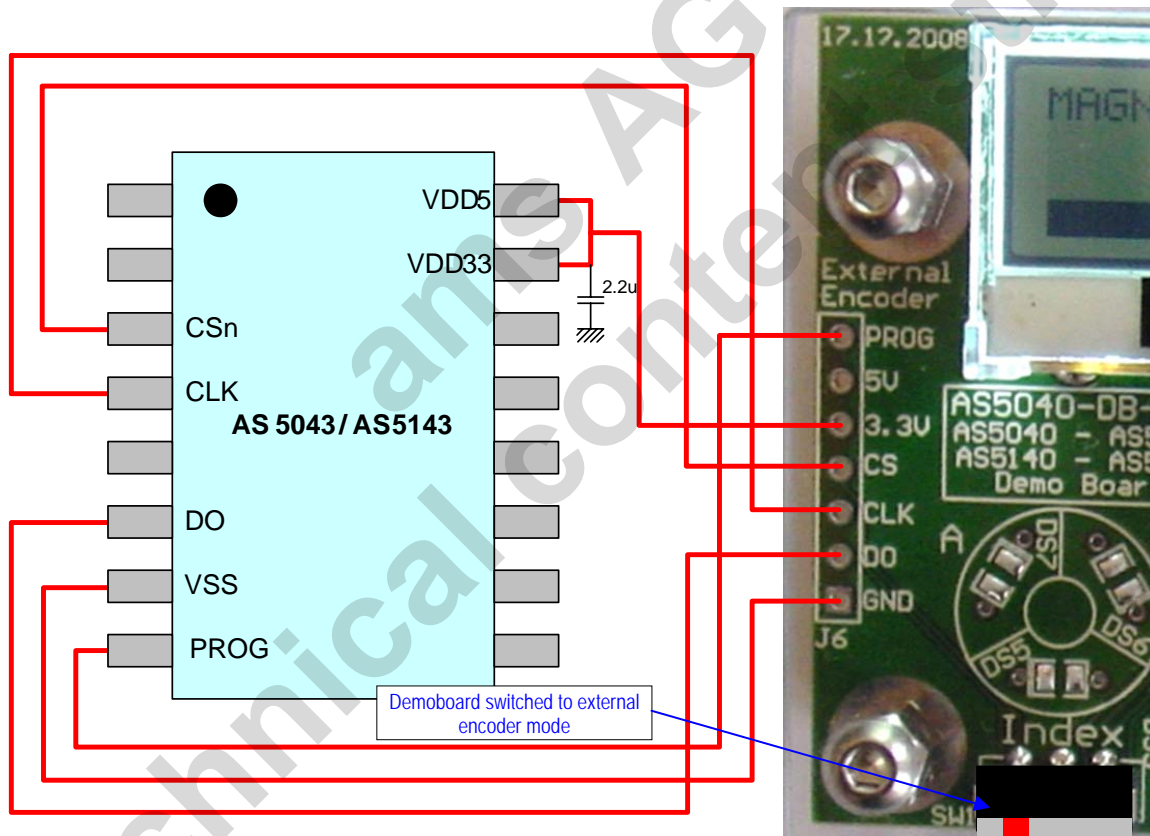


Figure 3: external AS5043/AS5143 connection to the demoboard

## 4 AS5000 Programmer GUI software

### 4.1 Installing the GUI on the PC

The preliminary software is developed for a Microsoft Windows XP operating system with Service Pack 2. In addition the dotnet (.NET) framework version 2.0 or more must be installed on the PC. This package can be downloaded free of charge from the Microsoft webpage:

<http://www.microsoft.com/downloads/details.aspx?FamilyID=0856eacb-4362-4b0d-8edd-aab15c5e04f5&displaylang=en>

Following Procedure is recommended before starting the GUI:

1. check on your PC if Service Pack 2 is installed
2. install the mentioned .NET package to your computer
3. execute setup.exe
4. Finally start the GUI using the shortcut in the start menu or desktop.

### 4.2 The Home tab

Figure 4 shows the main window of the GUI. On the top left corner, board information's as firmware (FW) version and demoboard name declaration can be found.

By default the GUI is in the auto detection mode. Any connected austriamicrosystems demoboard and programming tool will be automatically detected and displayed in the right top corner. The GUI is divided into three main sections HOME, SSI and OTP.

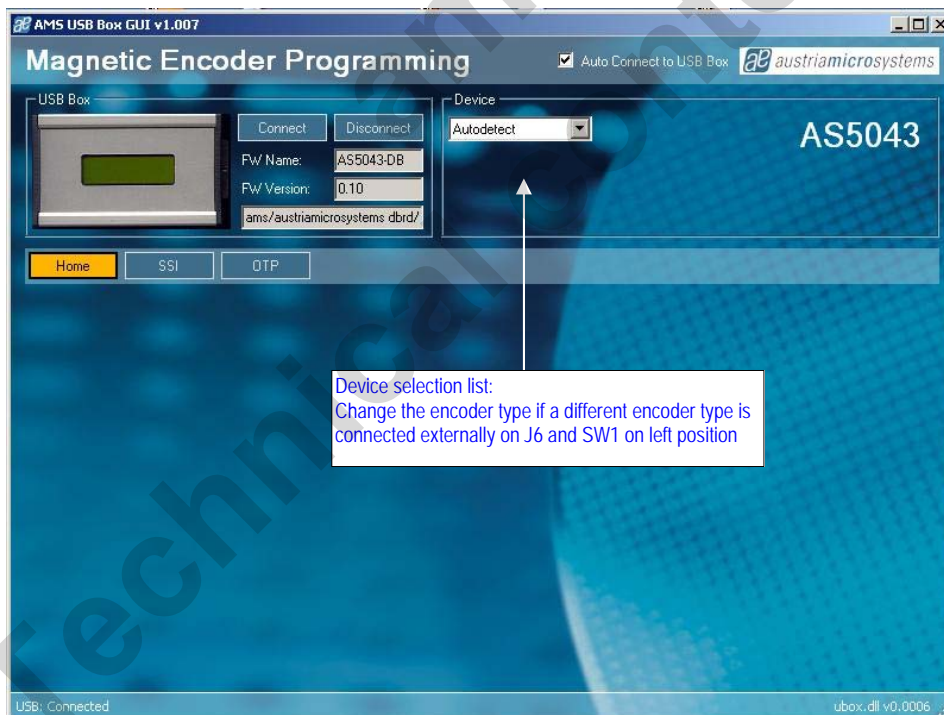


Figure 4: AS5000 GUI detected the AS5043 Demoboard

### 4.3 The SSI tab

This mode displays in realtime the angle & absolute value, status bits and magnet range status.

By selecting the SSI (serial protocol for AS5040, AS5140, AS5043, AS5143, AS5045, AS5145) tab, the information of the angular position and the status bits appears. See figure 5.



Figure 5: SSI tab, allows access to the AS5x43 registers from the serial bus

**Value** is the Angle data [D9:D0] from the RD\_ANGLE (Read Angle) serial command. This value is continuously updated.

The **Zero Pos.** value represents the Zero Position register. By clicking on the **Set** button, the actual angle "Value" is written into the Zero Position register. Clicking on **Reset** writes the value 0 to the Zero Position register.

The **Magnetic Range Warning** is continuously read from the RD\_ANGLE serial command.

- Green lamp: Magnet in range
- Orange lamp: Magnet too far or too close. MagINC and MagDEC are set.

The **Status bits information** are taken from the serial stream.

The **Read Interval** can be modified from 10 ms (fastest) to 1 s (slowest).

## 4.4 The OTP tab

The OTP tab is normally used for the AS5000 programmer, but the OTP bits can be changed on the AS5x43 demoboard as well.

Options like Zero Position, Pulses per revolution and Incremental Mode Selection can be changed by selecting the function in "Fields", then changing the parameter in "Options for the selected field" or directly the decimal value of this parameter in "Value".

Each time a field's value has been changed, the corresponding OTP bits will be automatically checked in the right window. The button **Write** should be clicked to write the parameter into the AS5x43.

The **Read** button reads back the OTP register, and updates the "Field" parameter as well as the OTP bits window.

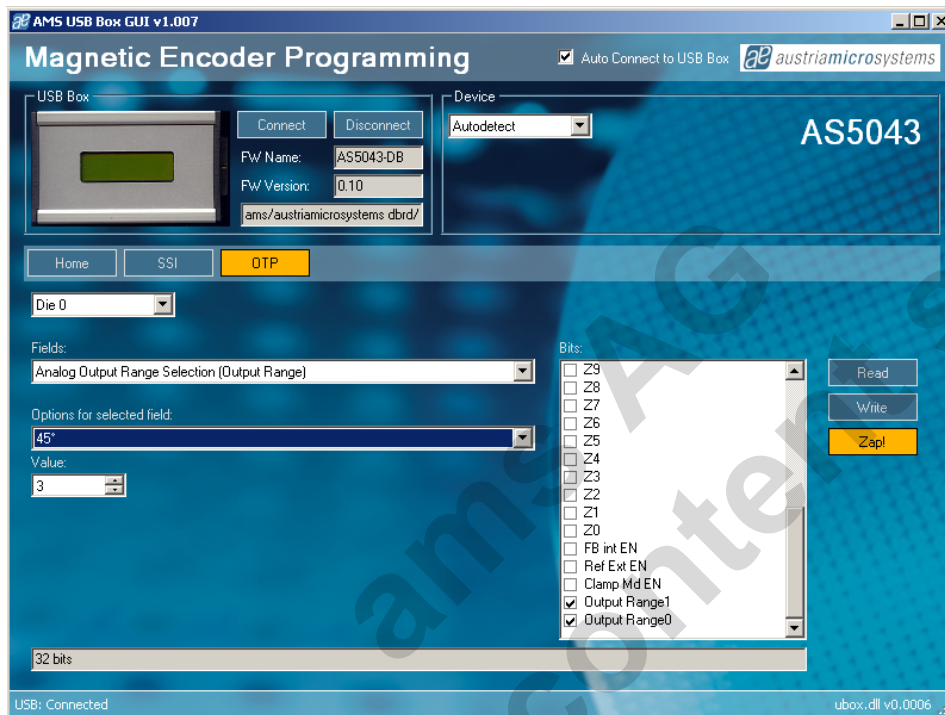


Figure 6: OTP tab

**Field Zero Position:** To zero position value, like on the SSI tab. The zero position value can be changed by checking the Z[0:9] bits, or changing the Value field with a decimal number.

### Field Analog Output Range Selection (Output Range):

The analog output can be configured to 360°, 180°, 90° and 45° angular range.

Note that the **Zap!** button is used for the AS5000 Programmer only and has no effect on the AS5x43 Demoboard.

### Important:

If the OPAMP Gain setting FB\_int\_EN is set to 0 (default), please take care to add an external resistor network between Vout and FB Pin (see AS5043 Datasheet Figure 14).

## 5 AS5x43 Demoboard, Schematics, Blockdiagramm

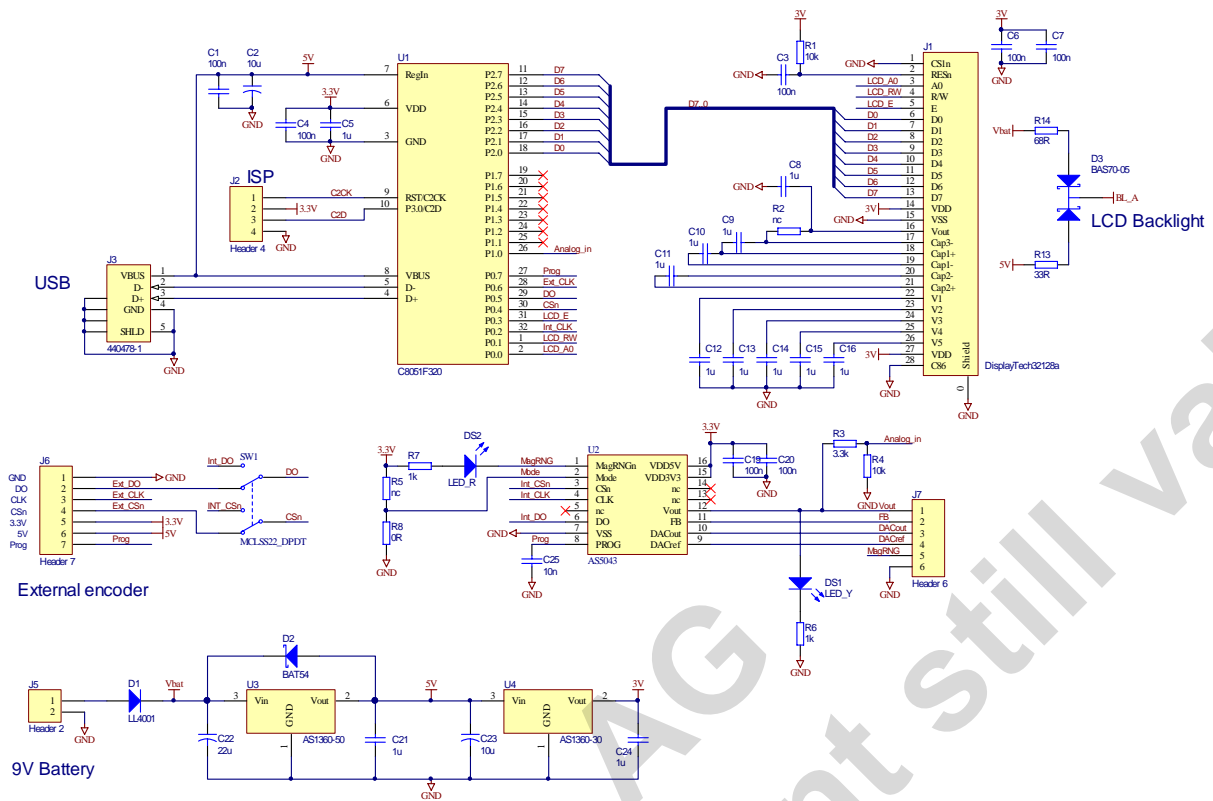


Figure 7: AS5x43 Demoboard schematics

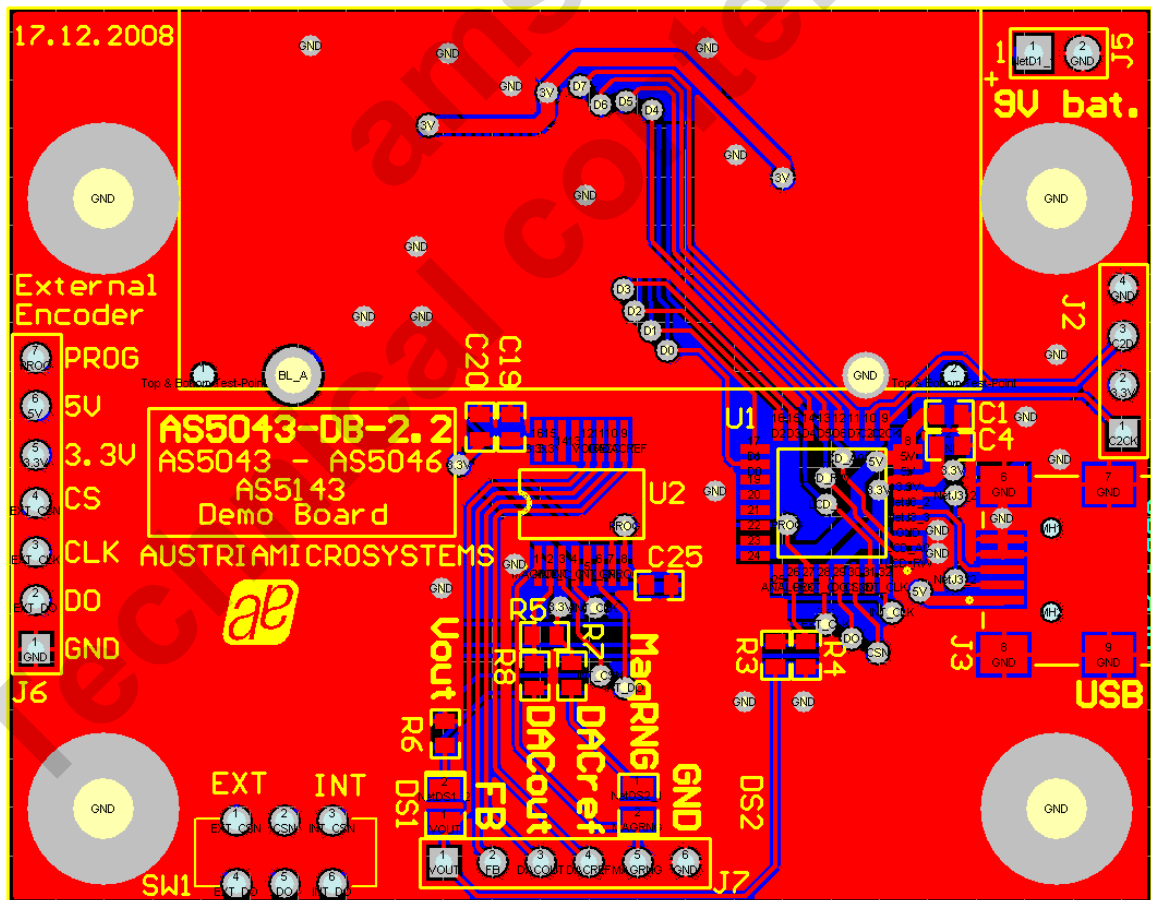


Figure 4: AS5x43 Demoboard PCB Layout



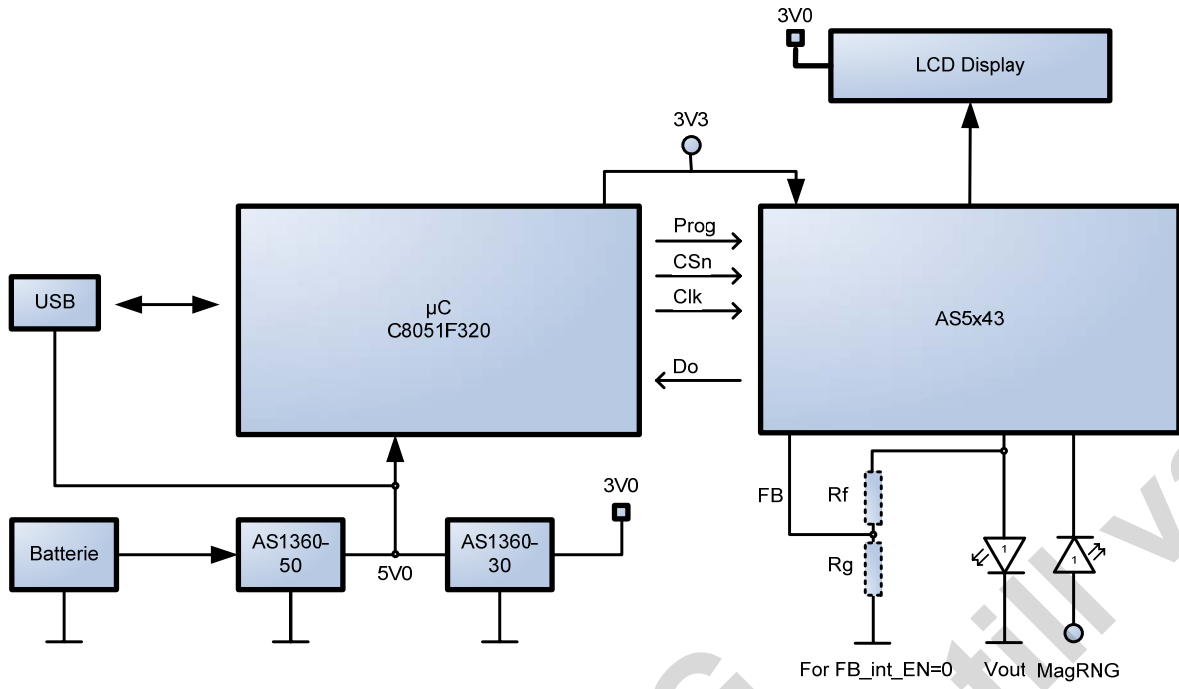


Figure 9: AS5x43 Blockdiagramm

## Index

1	General Overview .....	1
2	The AS5x43 Demoboard .....	1
3	Operating the AS5x43 Demoboard .....	1
3.1	Hardware Indicators and Connectors .....	2
3.1.1	Graphic LCD display .....	2
3.1.2	Vout LED .....	2
3.1.3	DACref .....	2
3.1.4	DACout .....	2
3.1.5	FB .....	2
3.1.6	MagRNG .....	2
3.1.7	Encoder selection switch .....	3
4	AS5000 Programmer GUI software .....	4
4.1	Installing the GUI on the PC .....	4
4.2	The Home tab .....	4
4.3	The SSI tab .....	5
4.4	The OTP tab .....	6
5	AS5x43 Demoboard, Schematics, Blockdiagramm .....	7
	Index .....	9
	Revision History .....	10
	Contact .....	11
	Copyright .....	12

## Revision History

Revision	Date	Description	
R1.0	June.17, 2009	First version	

ams AG  
Technical content still valid

## Contact

### Headquarters

austriamicrosystems AG  
 A 8141 Schloss Premstätten, **Austria**  
 Phone: +43 3136 500 0  
 Fax: +43 3136 525 01  
[industry.medical@austriamicrosystems.com](mailto:industry.medical@austriamicrosystems.com)  
[www.austriamicrosystems.com](http://www.austriamicrosystems.com)

### Sales Offices

austriamicrosystems Germany GmbH  
 Tegernseer Landstrasse 85  
 D-81539 München, **Germany**  
 Phone: +49 89 69 36 43 0  
 Fax: +49 89 69 36 43 66

austriamicrosystems Italy S.r.l.  
 Via A. Volta, 18  
 I-20094 Corsico (MI), **Italy**  
 Phone: +39 02 4586 4364  
 Fax: +39 02 4585 773

austriamicrosystems France S.A.R.L.  
 124, Avenue de Paris  
 F-94300 Vincennes, **France**  
 Phone: +33 1 43 74 00 90  
 Fax: +33 1 43 74 20 98

austriamicrosystems Switzerland AG  
 Rietstrasse 4  
 CH 8640 Rapperswil, **Switzerland**  
 Phone: +41 55 220 9008  
 Fax: +41 55 220 9001

austriamicrosystems UK, Ltd.  
 88, Barkham Ride,  
 Finchampstead, Wokingham  
 Berkshire RG40 4ET, **United Kingdom**  
 Phone: +44 118 973 1797  
 Fax: +44 118 973 5117

austriamicrosystems AG  
 Klaavuntie 9 G 55  
 FI 00910 Helsinki, **Finland**  
 Phone: +358 9 72688 170  
 Fax: +358 9 72688 171

austriamicrosystems AG  
 Bivägen 3B  
 S 19163 Sollentuna, **Sweden**  
 Phone: +46 8 6231 710

austriamicrosystems USA, Inc.  
 8601 Six Forks Road  
 Suite 400  
 Raleigh, NC 27615, **USA**  
 Phone: +1 919 676 5292  
 Fax: +1 509 696 2713

austriamicrosystems USA, Inc.  
 4030 Moorpark Ave  
 Suite 116  
 San Jose, CA 95117, **USA**  
 Phone: +1 408 345 1790  
 Fax: +1 509 696 2713

austriamicrosystems AG  
 Suite 811, Tsimshatsui Centre  
 East Wing, 66 Mody Road  
 Tsim Sha Tsui East, Kowloon, **Hong Kong**  
 Phone: +852 2268 6899  
 Fax: +852 2268 6799

austriamicrosystems AG  
 AIOS Gotanda Annex 5<sup>th</sup> Fl., 1-7-11,  
 Higashi-Gotanda, Shinagawa-ku  
 Tokyo 141-0022, **Japan**  
 Phone: +81 3 5792 4975  
 Fax: +81 3 5792 4976

austriamicrosystems AG  
 #805, Dong Kyung Bldg.,  
 824-19, Yeok Sam Dong,  
 Kang Nam Gu, Seoul  
**Korea 135-080**  
 Phone: +82 2 557 8776  
 Fax: +82 2 569 9823

austriamicrosystems AG  
 Singapore Representative Office  
 83 Clemenceau Avenue, #02-01 UE Square  
 239920, **Singapore**  
 Phone: +65 68 30 83 05  
 Fax: +65 62 34 31 20

## Copyright

Devices sold by austriamicrosystems are covered by the warranty and patent indemnification provisions appearing in its Term of Sale. austriamicrosystems makes no warranty, express, statutory, implied, or by description regarding the information set forth herein or regarding the freedom of the described devices from patent infringement. austriamicrosystems reserves the right to change specifications and prices at any time and without notice. Therefore, prior to designing this product into a system, it is necessary to check with austriamicrosystems for current information. This product is intended for use in normal commercial applications.

Copyright © 2009 austriamicrosystems. Trademarks registered ®. All rights reserved. The material herein may not be reproduced, adapted, merged, translated, stored, or used without the prior written consent of the copyright owner. To the best of its knowledge, austriamicrosystems asserts that the information contained in this publication is accurate and correct. However, austriamicrosystems shall not be liable to recipient or any third party for any damages, including but not limited to personal injury, property damage, loss of profits, loss of use, interruption of business or indirect, special, incidental or consequential damages, of any kind, in connection with or arising out of the furnishing, performance or use of the technical data herein. No obligation or liability to recipient or any third party shall arise or flow out of austriamicrosystems rendering of technical or other services.

# Mouser Electronics

Authorized Distributor

Click to View Pricing, Inventory, Delivery & Lifecycle Information:

[ams:](#)

[AS5043-DB-V2](#) [AS5043 DB V2](#)